



Electro-pneumatic positioner ideally designed and optimized for cylinder actuator and guaranteeing precise and stable performance with cylinder actuator

Features

- ▶ Easy to set
- ▶ Compact
- ▶ Precise and stable performance
- ▶ Suitable for a wide application

Specifications

Input Signal	4 - 20 mA @ 24 VDC
Input Resistance	425 Ω
Air Supply	3 - 7 bar (100 psi) free of oil, water, and moisture
Standard Stroke	30 mm - 300 mm
Pneumatic Connections	Rc 1/4 or NPT 1/4
Electrical Connections	G 1/2 or NPT 1/2
Protection Class	Exd IIC T6
Ambient Temperature	-20 - + 70 °C
Output Characteristics	Linear
Linearity	Within ± 1.0 % F.S
Sensitivity	Within ± 0.5 % F.S
Hysteresis	Within 1.0 % F.S
Repeatability	Within ± 0.5 % F.S
Air Consumption	5 LPM (Sup. 1.4 bar)
Material	Aluminum die-cast
Weight	2 kg

How to Order

EPCL

— Stroke —

Connections
(Pneumatic/
Electrical)

Description	Code
Stroke :	On request (30 mm - 300 mm)
Connections : (Pneumatic - electrical)	P : Rc 1/4 - G 1/2 N : NPT 1/4 - NPT 1/2



NOTE

Please be sure to describe a size and a stroke of the cylinder actuator required when placing an order.

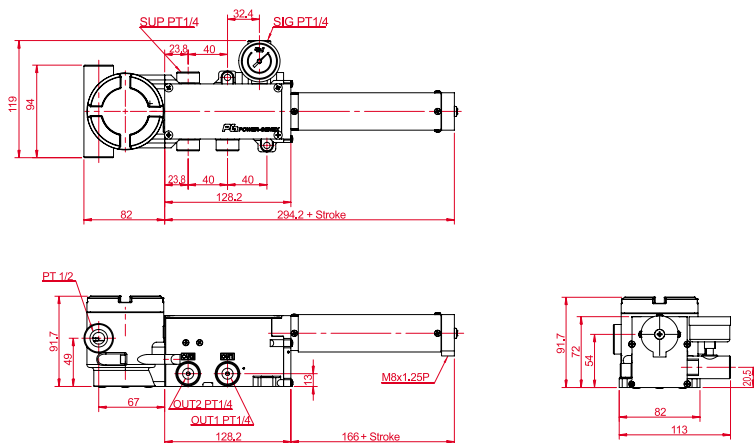


CAUTION

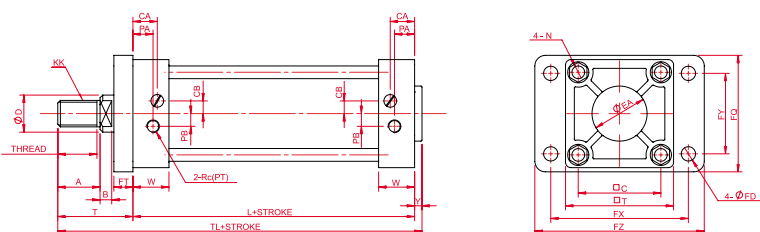
1. Please be sure to disconnect supply air completely before opening a feedback spring protection tube.
2. When input signal increases, the EPCL can operate only in the direction that the cylinder extends.

Dimensions

EPCL



Cylinder Actuator



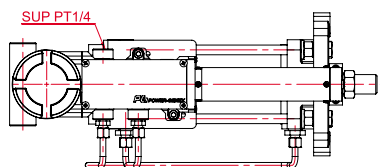
(Unit : mm)

Tube I · O (mm)	Stroke (mm)	Thread	A	B	□C	□T	CA	CB	φD	φEA	KK	L
40	~ 800	27	30	6	44	60	18	8	16	32	M14 × P1.25	84
50	~ 1000	32	35	7	52	70	19.5	11	20	40	M18 × P1.25	90
63	~ 1000	32	35	7	64	83	23	11	20	40	M18 × P1.25	98
80	~ 1000	37	40	11	78	102	25	12	25	52	M22 × P1.25	116
100	~ 1000	37	40	11	92	116	27.5	12	30	52	M26 × P1.25	126

Tube I · O (mm)	N	Rc(PT)	PA	PB	W	V	FD	FQ	FT	FX	FY	FZ	T	TL
40	M 8 × P1.25	1/4	12.5	6.5	26.5	3	9	65	12	80	42	100	51	138
50	M 8 × P1.25	3/8	14	8	28	3	9	75	12	90	50	110	58	151
63	M 8 × P1.25	3/8	15	9	29.5	3	11.5	91	15	105	59	130	58	159
80	M 12 × P1.25	1/2	19	12	34	7	13.5	110	18	130	76	160	71	194
100	M 12 × P1.25	1/2	20	12	36.5	7	13.5	126	18	150	92	180	72	205

Note : Please make an inquiry for other size cylinder actuators not described above.

Application Example for EPCL on Cylinder Actuator



Note that this drawing is an example showing the EPCL mounted on the cylinder actuator (φ80 × 125mm). The length of the EPCL feedback spring tube can be different according to strokes of the cylinder actuators. So please contact for an optimum mounting

